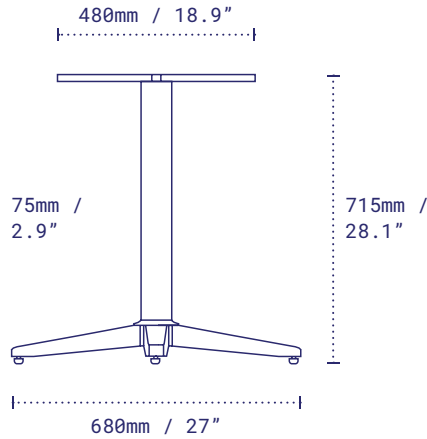


Trail 27



TRST27[CC*] : DINING HEIGHT



Trail 27 self-stabilising table base exemplifies modern simplicity. The linear, clean design and concealed componentry complements a robust construction for use in any setting.

Pictured: Trail 27 Dining Height, Metallic Silver.

DETAILS

Material	Steel – Zinc Plated Legs, Zinc Phosphate Column
Next-Level Protection also available	Steel – Zinc Plated Legs, Zinc Plated Column, Alodine Top Plate
Height excl. table top	715mm / 28.1"
Base diameter	680mm / 27"
Column width	75mm / 2.9"
Top plate	Fixed
Net weight	6.2kg / 13.6lbs
Max recommended table top	<input type="radio"/> 1066mm / 42" <input type="checkbox"/> 914mm / 36"
Resources	no-rock.com/product/trail

PACKAGING

Carton	600 x 600 x 100mm / 23.6 x 23.6 x 3.9" x Box 1
Gross weight	7.7kg / 16.9lbs

STANDARD COLOUR RANGE

- Metallic Silver**
Code: TRST27SI
- Sandstone Black**
Code: TRST27BK

NON-STANDARD COLOUR RANGE

- Antique Bronze**
Code: TRST27AB
- Ash Grey**
Code: TRST27AG
- Jarrah Brown**
Code: TRST27JH
- Leeuwin Blue**
Code: TRST27LW
- Peppermint Green**
Code: TRST27PM
- Pindan Red**
Code: TRST27PD
- Rust**
Code: TRST27RU
- White**
Code: TRST27WH



NR MARKETING PTY LTD
NOROCK USA LLC

INFO@NO-ROCK.COM
NO-ROCK.COM

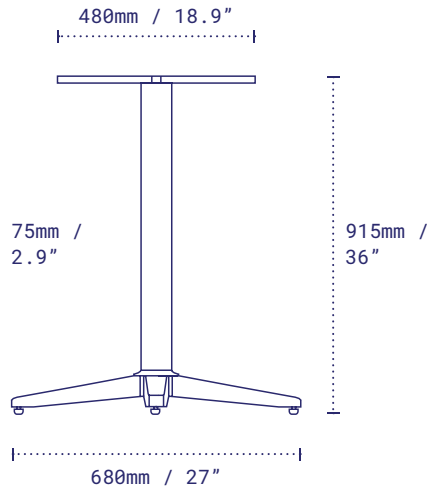
SEPTEMBER 2023

All product information is correct at the time of printing but may be subject to change without notice. For the latest information please visit our website.

Trail 27



TRST27[CC*]C : COUNTER HEIGHT



Trail 27 self-stabilising table base exemplifies modern simplicity. The linear, clean design and concealed componentry complements a robust construction for use in any setting.

Pictured: Trail 27 Dining Height, Metallic Silver.

DETAILS

Material	Steel – Zinc Plated Legs, Zinc Phosphate Column
Next-Level Protection	Steel – Zinc Plated Legs, Zinc Plated Column, Alodine Top Plate also available
Height	915mm / 36" Counter excl. table top
Base diameter	680mm / 27"
Column width	75mm / 2.9"
Top plate	Fixed
Net weight	6.9kg / 15.2lbs
Resources	no-rock.com/product/trail

PACKAGING

Carton	510 x 510 x 100mm / 20.0 x 20.0 x 3.9" x Box 1 83 x 84 x 900mm / 3.2 x 3.3 x 35.4" x Box 2
Gross weight	8.0kg / 17.6lbs

STANDARD COLOUR RANGE

- Metallic Silver**
Code: TRST27SIC
- Sandstone Black**
Code: TRST27BKC

NON-STANDARD COLOUR RANGE

- Antique Bronze**
Code: TRST27ABC
- Ash Grey**
Code: TRST27AGC
- Jarrah Brown**
Code: TRST27JHC
- Leeuwin Blue**
Code: TRST27LWC
- Peppermint Green**
Code: TRST27PMC
- Pindan Red**
Code: TRST27PDC
- Rust**
Code: TRST27RUC
- White**
Code: TRST27WHC



NR MARKETING PTY LTD
NOROCK USA LLC

INFO@NO-ROCK.COM
NO-ROCK.COM

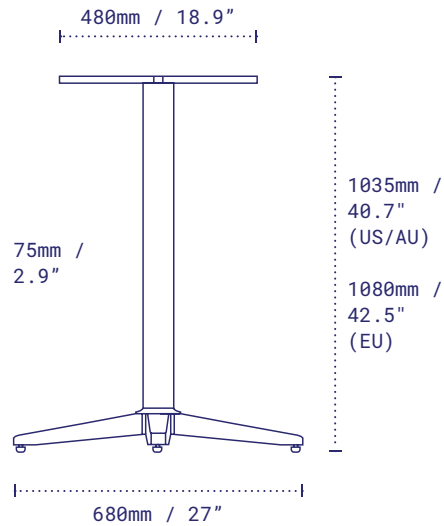
SEPTEMBER 2023

All product information is correct at the time of printing but may be subject to change without notice. For the latest information please visit our website.

Trail 27



TRST27[CC*]B : BAR HEIGHT



Trail 27 self-stabilising table base exemplifies modern simplicity. The linear, clean design and concealed componentry complements a robust construction for use in any setting.

Pictured: Trail 27 Dining Height, Metallic Silver.

DETAILS

Material	Steel – Zinc Plated Legs, Zinc Phosphate Column
Next-Level Protection	Steel – Zinc Plated Legs, Zinc Plated Column, also available Alodine Top Plate
Height	1035mm / 40.7" Bar excl. table top 1080mm / 42.5" Bar (EU only)
Base diameter	680mm / 27"
Column width	75mm / 2.9"
Top plate	Fixed
Net weight	7.3kg / 16.0 lbs
Max recommended table top	○ 914mm / 36" □ 762mm / 30"
Resources	no-rock.com/product/trail

PACKAGING

Carton	510 x 510 x 100mm / 20.0 x 20.0 x 3.9" x Box 1 83 x 84 x 1050mm / 3.2 x 3.3 x 41.3" x Box 2
Gross weight	8.5kg / 18.7lbs

STANDARD COLOUR RANGE

- Metallic Silver**
Code: TRST27SIB
- Sandstone Black**
Code: TRST27BKB

NON-STANDARD COLOUR RANGE

- Antique Bronze**
Code: TRST27ABB
- Ash Grey**
Code: TRST27AGB
- Jarrah Brown**
Code: TRST27JHB
- Leeuwin Blue**
Code: TRST27LWB
- Peppermint Green**
Code: TRST27PMB
- Pindan Red**
Code: TRST27PDB
- Rust**
Code: TRST27RUB
- White**
Code: TRST27WHB



NR MARKETING PTY LTD
NOROCK USA LLC

INFO@NO-ROCK.COM
NO-ROCK.COM

SEPTEMBER 2023

All product information is correct at the time of printing but may be subject to change without notice. For the latest information please visit our website.